



PROJECT		REF		REV	ITEM CODE	
LOCATION		DATE			PAGE	

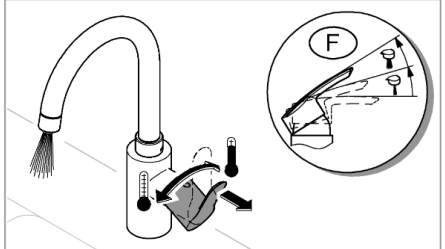
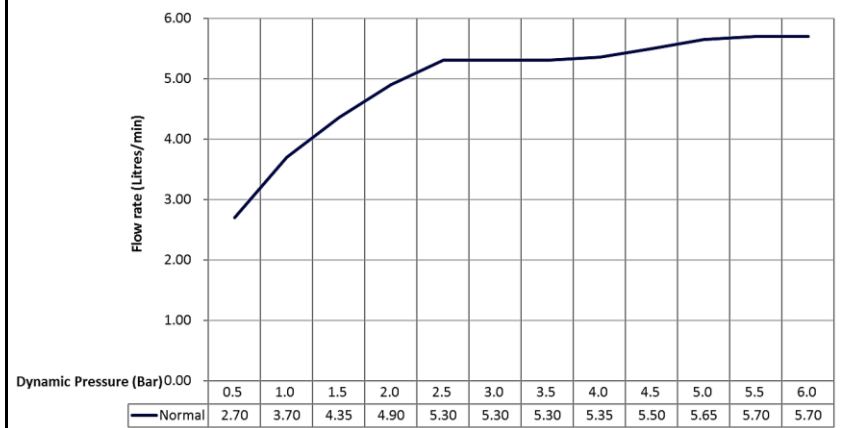
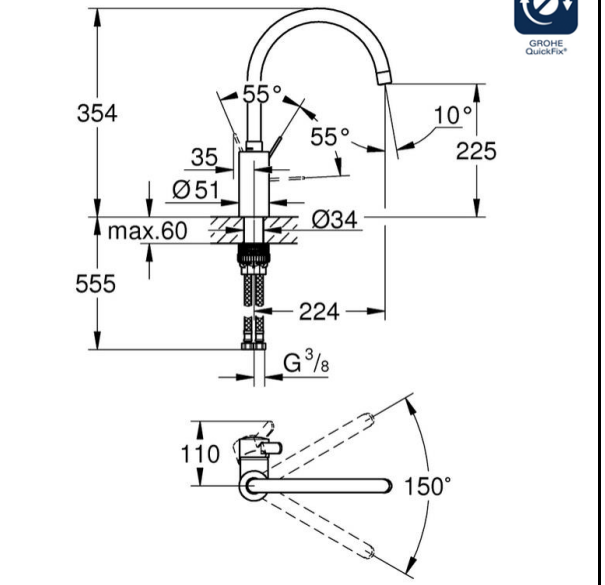
# SANITARY WARE SPECIFICATION SHEET

Item Descriptions	GROHE (Germany) "Eurosmart Cosmopolitan" Single-lever sink mixer 1/2"; nominated flow rate <b>4.9 L/min</b> in WELS <b>Grade 2</b> ; Registration No. TM 20-0173
Dimensions	L224 x W110 x H354 mm
Model	3284320E
Finish	Chrome Plated
Country of origin	Germany
Manufacturer	GROHE Limited
Supplier	Acme Sanitary Ware Co. Ltd Mr. Eric Wong/ Mr. Don Yuen
Contact Tel/Fax	(852) 2388-7171 / (852) 2710-8012
E-mail	acme@acmesanitary.com.hk
Website	www.acmesanitary.com.hk

Illustration/ Drawing

- 
- 
- 
- 
- 
- 

- "Eurosmart Cosmopolitan "**  
**Single-lever sink mixer 1/2"**
- high spout
  - monobloc installation
  - **GROHE StarLight** chrome finish
  - **GROHE SilkMove** 35 mm ceramic cartridge
  - **GROHE Zero** separated inner water ways - lead and nickel free
  - **GROHE EcoJoy** technology for less water and perfect flow
  - mousseur
  - adjustable flow rate limiter
  - swivel tubular spout
  - selectable swivel area : 0° / 150°
  - flexible connection hoses
  - **GROHE QuickFix** rapid installation system



Note: 411523040 aerator is built-in as default.

\* All information of the above is for the reference only. No prior notice is made if any changes.



自願參與用水效益標籤計劃 - 水龍頭  
Voluntary Water Efficiency Labelling Scheme - Water Taps



茲證明  
This is to certify that  
Grohe Hong Kong Limited

將下列水龍頭在本計劃內註冊：  
has registered the following water tap under this scheme :

牌子 / Brand	:	Grohe
型號 / Model	:	3284320E + 411523040
種類 / Type	:	Mixing
原產地 / Country or Region Origin	:	Portugal (Mixer) Germany (Flow Controller)

在用水效益標籤上展示的標誌 <i>Symbolic Presentation on the Water Efficiency Label</i>	:		滴水點 <i>Water droplet(s)</i>
用水效益級別 <i>Water Efficiency Grade</i>	:	1	
耗水量 <i>Water Consumption</i>	:	4.9	公升/分鐘 <i>litres/minute</i>

簽發日期：  
Date of Issue: 14 October 2020



水務署署長(葉哲奇代行)  
for Director of Water Supplies



Department

七號入境事務大樓 48 樓

Seventh Floor, Gloucester Tower, 7 Gloucester Road, Wan Chai, Hong Kong

本署檔號 : (5) in WSD 3321/2020 T/J(353/2020)  
Our ref.  
來函檔號 :  
Your ref.

電話 :  
Tel.  
傳真 : 2824 0578  
Fax.


27 July 2020

Dear Sir,

**Approval of "GROHE" Sink Mixer  
(General Acceptance No. C20200611)**

Your letter ref. WRC/2164 dated 6 April 2020 and subsequent submissions received by this department up to 8 July 2020 refer.

Having considered the test reports ref. J23938Ar1 and J24850-1 issued on 23 March 2020 and 3 July 2020 by Nutek Systems (HK) Ltd., this Authority accepts that the fitting described below complies with, and its use when correctly installed does not contravene, the Waterworks Ordinance and Regulations.

**Name of Manufacturer:** Grohe AG  
**Country of Origin:** Portugal  
**Brand:** Grohe  
**Details of Fitting:** 3/8" Single lever sink mixer with 1 no. of flexible hose  
**Model:** 3284320E  
**Body Markings:**   
**Expiry Date:** 31 January 2024



This Authority hereby permits the use of the above fitting in fresh water plumbing systems subject to full adherence to Waterworks installation requirements. In particular, you are required to draw your customers' attention to the following requirement-

"The cold water supply to the fitting shall be drawn from the same source that supplies the hot water apparatus so as to provide a balanced pressure and to obviate the risk of scalding in the event of a restriction or failure in the water supply."

A condition of this acceptance is that the fitting to be installed shall be replicas of the sample as certified by the testing agent mentioned above and without modifications. This acceptance may be withdrawn at any time if the standard of the fitting installed fails to meet that of the approved sample or if the fitting is found to be unsuitable for use in fresh water plumbing systems.

This acceptance is only applicable to the main body of the fitting, unless otherwise specified.

For the use of the fitting in any project, the General Acceptance Number of this letter must be quoted as a means of identification of acceptance of the fitting by this Authority.

Should you have any enquiries, please contact our Engineer Mr. Terry KUNG at tel. no. 3583 4086.

Yours faithfully,



(CHAN Chung-kun)

for Director of Water Supplies

Encl.

c.c. WSD 3321/1/82 ] - without catalogue  
ME/MC ] - with soft copy only